



# *ecopress*

metal container

## ECO







## MORE DURABLE AND RESISTANT

The steel, solid and robust remains practically unalterable in the face of UV rays, wind, rain or inclement weather and is highly resistant to vandalism.



## FIREPROOF

They prevent the spread of started fire between the containers that form the eco-island or to vehicles parked next to them.





## ANTI-TIPPING

Its weight and pyramidal trunk design make the container a very stable element.



## SUSTAINABLE

100% recyclable and made from 100% recycled materials.



## NOISELESS

Designed and manufactured to reduce the acoustic impact produced during its use.







## DESIGN

Its **pyramidal trunk design** **optimizes space** with an interior free of obstacles, allowing it to use 100% of its capacity. **It facilitates the collection** making it more efficient and faster, avoiding noise pollution and tipping of the container.



## MANUFACTURING

**Compact and robust. Monocoque.** **Integrally welded.** Manufactured of galvanized steel, in 4 deep drawn of pieces and assembled by welding, with 100% recycled steel, applying the principles of sustainability and circular economy.



The fact that they are metal containers, ergonomic and heavy, gives them additional advantages compared with those manufactured with plastic materials:

# MORE DURABLE AND RESISTANT

The steel is definitely the most appropriate material if you want to have a container with a longer useful life. Solid and robust, it remains unalterable against the action of UV rays, wind, rain or bad weather conditions and is very resistant to vandalism. No cracks will occur in its structure over time.



## FIREPROOF

**They prevent the spread of started fire between the containers** that form the eco-island, to vehicles parked by or even to the facades of houses or commercial premises. The steel is not flammable material, it is the safer, sustainable and eco-friendly option.

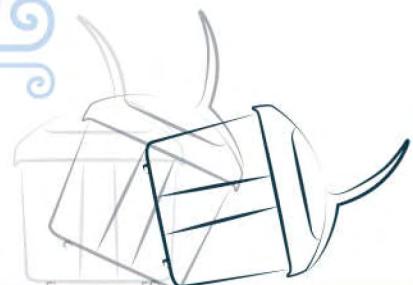






## ANTI-TIPPING

The weight and robustness of all its elements provides stability. Its pyramidal trunk design with highly smoothed angles and rounded corners offers less/more wind resistance, minimizing the possibility of tipping.



# NOISELESS

The elements, involved in the lid's opening and container's bottom emptying processes, are designed and manufactured to reduce the acoustic impact produced during their use. Progressive noiseless descent of the lid.



# COMPACT LIFTING SYSTEM



System that facilitates the introduction of waste allowing to use the total capacity of the container. Free of obstacles.





## INLET OPENING

Manufactured in cast aluminum,  
highly resistant.

## ALIGNMENT SYSTEM

The system allows the positioning of the containers in line forming eco-island by centring device installed on the pavement. It occupies a small street area, facilitates the process of collection and improves the integration into the city scape.





# INLET OPENINGS ACCORDING TO THE TYPE OF WASTE

## Calibrated:

Manufactured in 8 mm thick cast aluminium, 100% customizable, according to the type of waste. Available for any type of waste and capacity.







### Drum lid:

The progressive closure system of this kind of lid makes it one of the safest, preventing entrapment, reducing the bad odors generated from the waste and avoiding rodent ingress in the container. Available for any type of waste and capacity. Compatible with technology (IOT).





# LIFTING SYSTEMS

DOUBLE HOOK



KINSHOFER

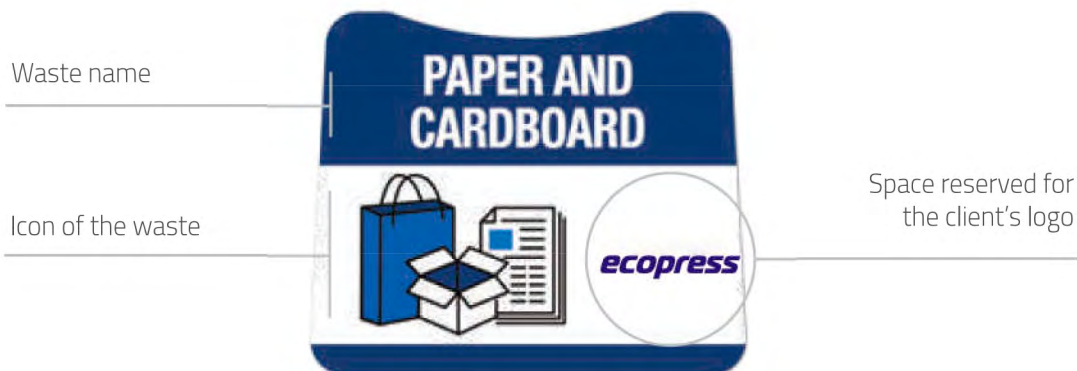


MUSHROOM



# IDENTIFICATION GRAPHICS

Customized serigraphy, printed directly on the metal sheet.





# FINAL LOOK

We have a painting tunnel in our facilities, to carry out all the processes: pre-treatment, priming, drying and painting.



Waste	RAL Container body	RAL Input mouth
Paper and cardboard	7040	5002
Plastic	7040	1021
Glass	7040	6005
Organic	7040	8011
Refuse	7040	7035
Used domestic oil	7040	2004
Used clothes and shoes	7040	3002

We use high quality polyester powder paint in electrostatic application at 220 °C for 20 minutes. High-strength against corrosion and harsh weather condition.



## PERSONALIZATION:

Endless possibilities with a single goal, to offer a high degree of customization through the RAL color chart.



# ACCESSIBILITY ACCESSORIES

## Inlet opening for people with reduced mobility (PRM):

Situated to facilitate its use.

Available for any kind of waste.



Exclusive storage compartment.



## Braille:

Identification of the waste for people with visual disabilities.





# SMART CITIES SYSTEMS

## Lid blocking:

- Opening by identification card (RFID) or a specific key.

## Filling notification:

- Electronic chip.
- Compatible with any telemetry system.



# MAINTENANCE AND CLEANING

Manufactured with high quality materials, guarantee of a long service life this, container needs a minimum maintenance.

Its surface is less porous, which reduces dust accumulation, allowing easy, better and less frequent cleaning.

## Drum lid-easy to clean (bavette):

Metal edge strip accessory, made of stainless steel with non-stick surface, avoids the dirt accumulation. Easy to clean.







## RECYCLING AND SUSTAINABILITY

**100% recyclable and made from 100% recycled material.** It is the most sustainable container on the market according to a study carried out by the Research Group on Environmental Technologies and Industrial Resources (TARIndustrial), **Polytechnic University of Madrid (UPM)**.



**Lower carbon footprint** (expressed in kg CO<sub>2</sub> eq/year) than its analog made of plastic, **a reduction between 15% and 48%.**



The maximum load capacity of the container is **1,465 times higher than that of the plastic container.** Therefore, a lower carbon footprint expressed per unit mass of waste collected.

Innovative SME Certification, for consolidated and intensive companies in R+D+i.



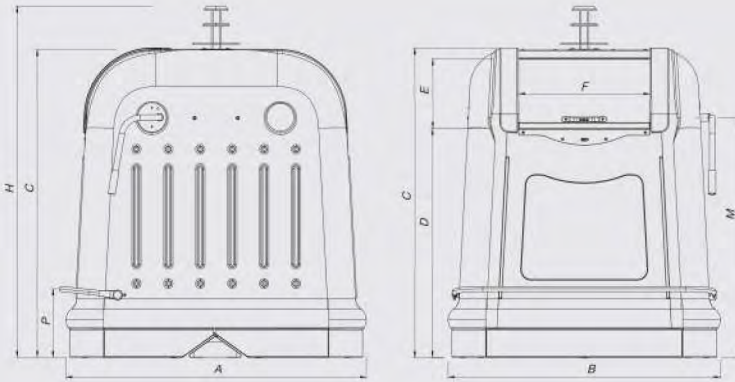
**INNOVATIVE SME**

Valid until May 14th 2024



# TECHNICAL INFORMATION

## CONTAINER TABLE SIZE

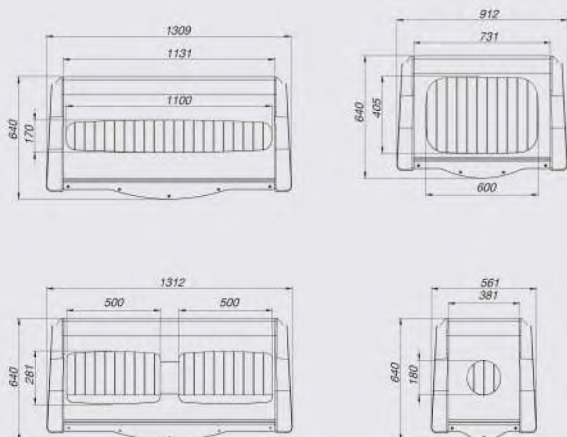


- A = Container width
- B = Container bottom
- C = Container height
- D = Loading height
- E = Inlet opening height
- F = Inlet opening width
- H = Total height including lifting system (Kinshofer)
- M = Lever height
- P = Pedal height

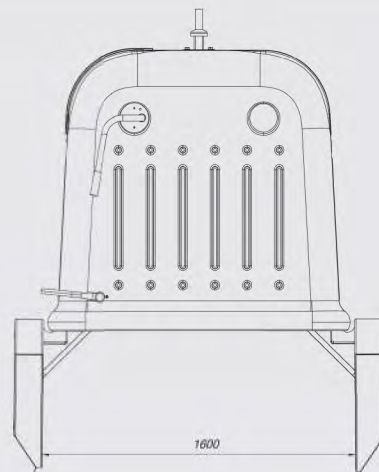
	A	B	C	D	E	F	H	M	P
2m <sup>3</sup>	1600	1100	1600	1190	365	350	1830	1250	360
3m <sup>3</sup>	1600	1450	1600	1190	365	700	1830	1250	360
4m <sup>3</sup>	1600	1850	1600	1190	365	1100	1830	1250	360

## INLET OPENING DIAGRAM AND MEASURES

CALIBRATED



## DOOR OPENING SCHEME



TOTAL OPENING OF DOORS



## MANUFACTURING

For the manufacture of the **eco** range we use high quality steel, a resistant and durable material, being the best solution against the combined action of UV rays and hard weather conditions. The lids are made of strong and durable high-quality steel. All metallic elements are made of galvanized steel.

We use recyclable materials and pigments that do not contain heavy materials, this way we protect the environment.

The process of the emptying of the container takes place from the lower part by opening of the bottom doors. The collection tray has capacity to collect up to 330 l leachate liquid.



## Standard UNE-EN 13071-1:2008

### Tests carried out on empty containers:

- Stability test.
- Resistance to interior impacts.
- Freefall.
- Resistance of the ceiling.
- Corrosion test.

### Tests carried out on loaded containers:

- Resistance to external impacts.
- Tests on emptying device / closing system.
- Mechanical resistance of lifting components.

### Additional tests performed:

- Acoustic test on containers for glass waste.



## Results of the set of tests

The tests carried out have been favorable and/or in accordance with the applicable regulations.





in partnership with:

